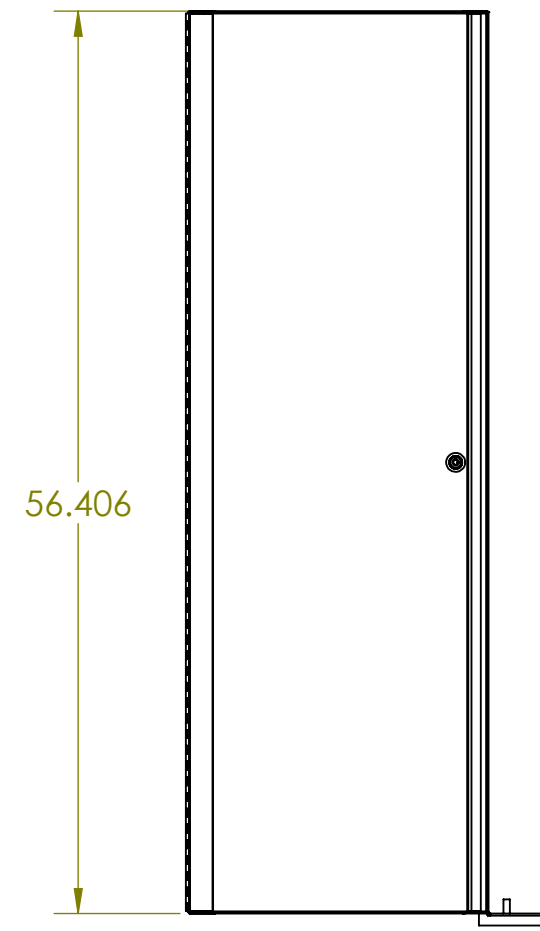
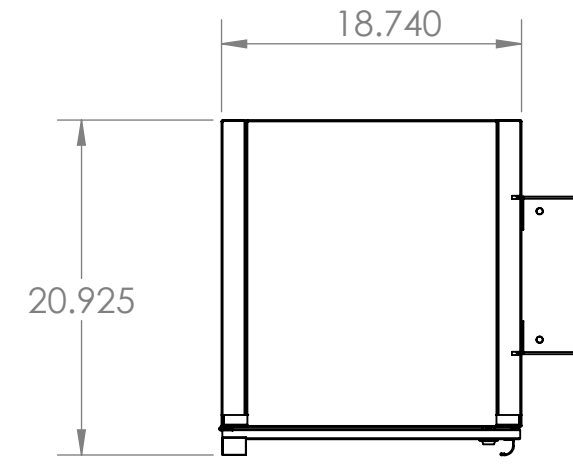
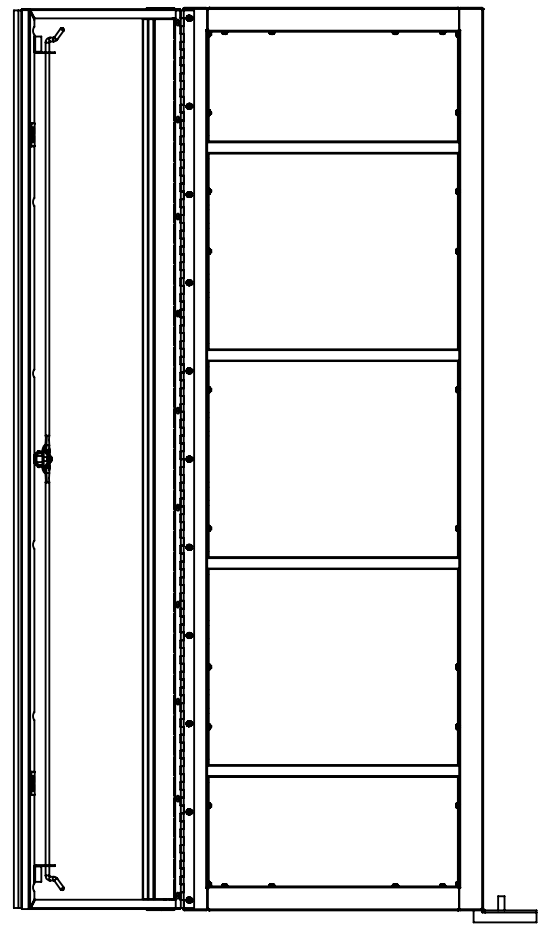


4

3

2

1



B

B

A

A

DRAWER No.	WIDTH		DEPTH		HEIGHT	
	O.D.	I.D.	O.D.	I.D.	O.D.	I.D.
1						
2						
ADJ. SHELF	18.465"		17.933"		.750"	

OVERALL DIMENSIONS		
WIDTH	DEPTH	HEIGHT
18.740"	20.925"	56.406"

DX192104SL (SCHEMATIC)

4

3

2

1