

4

3

2

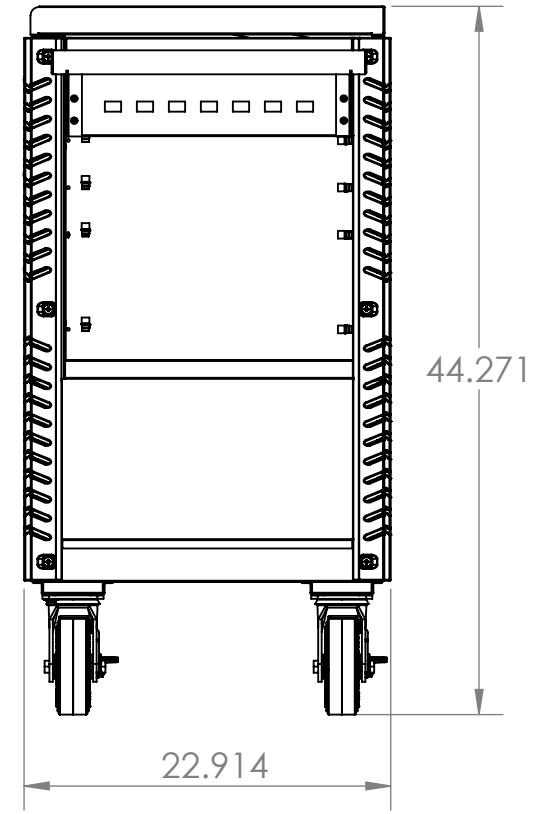
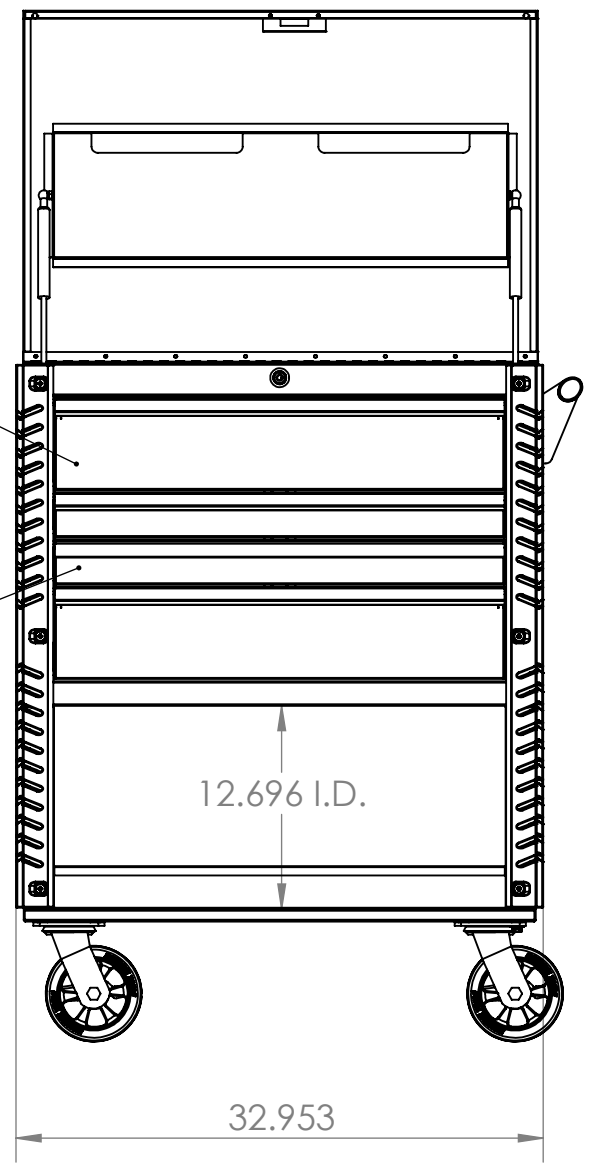
1

B

B

2
2

1
2



A

A

DRAWER No.	WIDTH		DEPTH		HEIGHT	
	O.D.	I.D.	O.D.	I.D.	O.D.	I.D.
1	28.110	27.178	21.549	20.308	2.815	2.201
2	28.110	27.178	21.549	20.308	5.768	5.154
3						
4						
5						
6						
7						
BTM TRAY	32.008	31.851	21.969	21.812	2.677	12.696

OVERALL DIMENSIONS		
WIDTH	DEPTH	HEIGHT
32.953	22.914	44.271

EX3304TC (SCHEMATIC)

4

3

2

1