

4

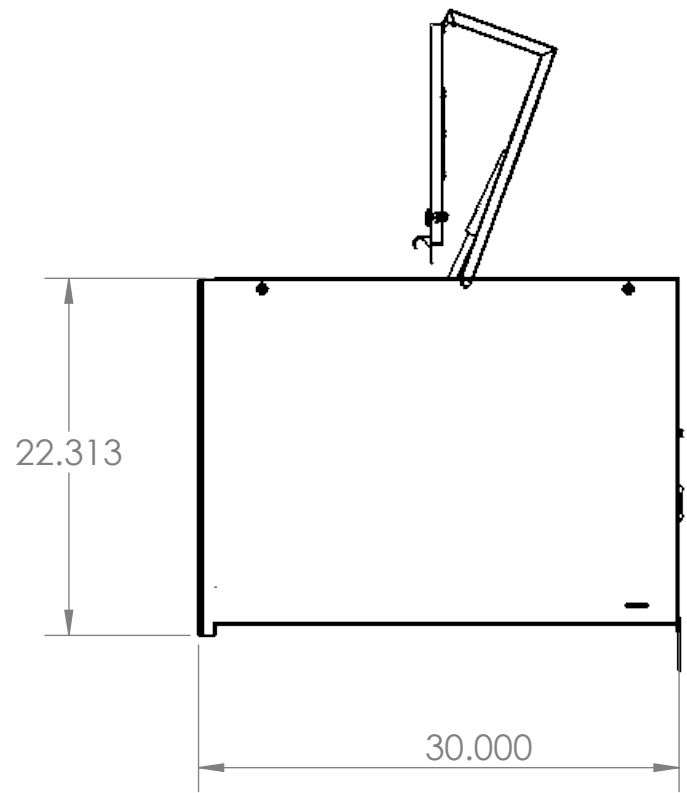
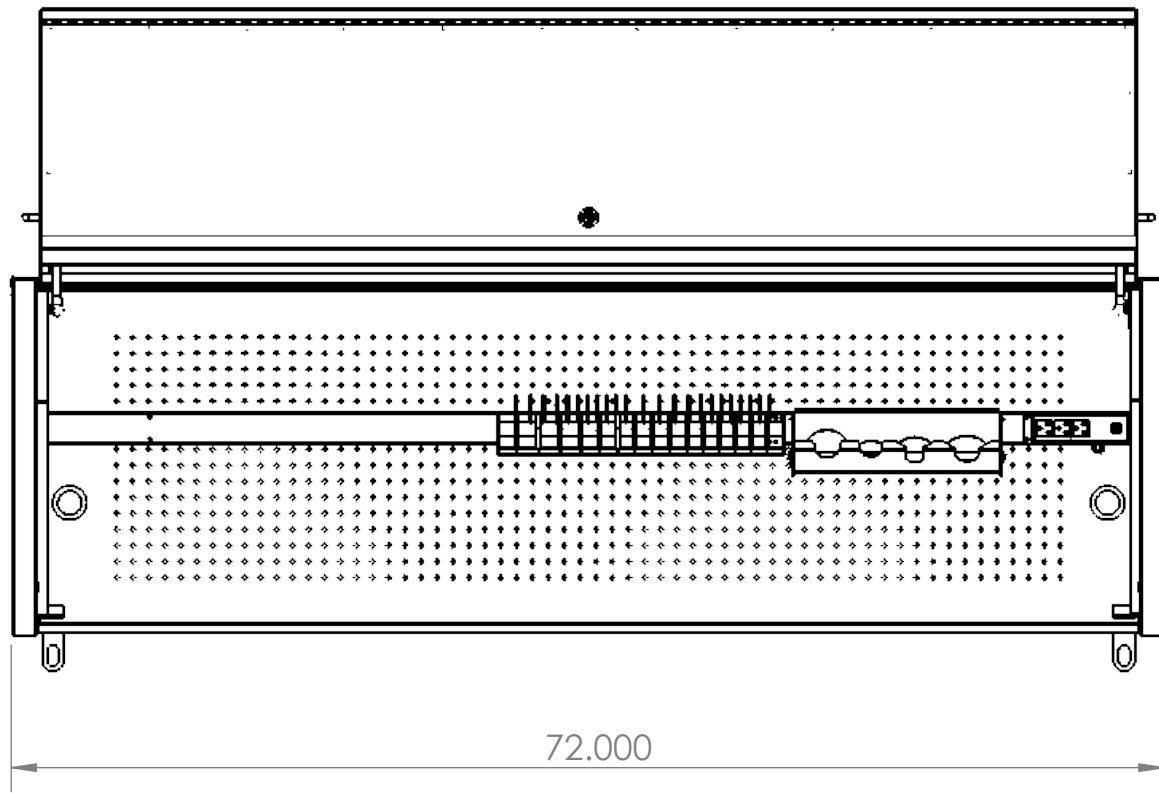
3

2

1

B

B



A

A

| DRAWER No. | WIDTH | | DEPTH | | HEIGHT | |
|------------|--------|------|-------|------|--------|------|
| | O.D. | I.D. | O.D. | I.D. | O.D. | I.D. |
| ADJ. SHELF | 68.701 | | 13 | | 1.992 | |
| | | | | | | |
| | | | | | | |
| | | | | | | |
| | | | | | | |
| | | | | | | |

| OVERALL DIMENSIONS | | |
|--------------------|-------|--------|
| WIDTH | DEPTH | HEIGHT |
| 72 | 30 | 22.312 |

RX723001HC (SCHEMATIC)

4

3

2

1