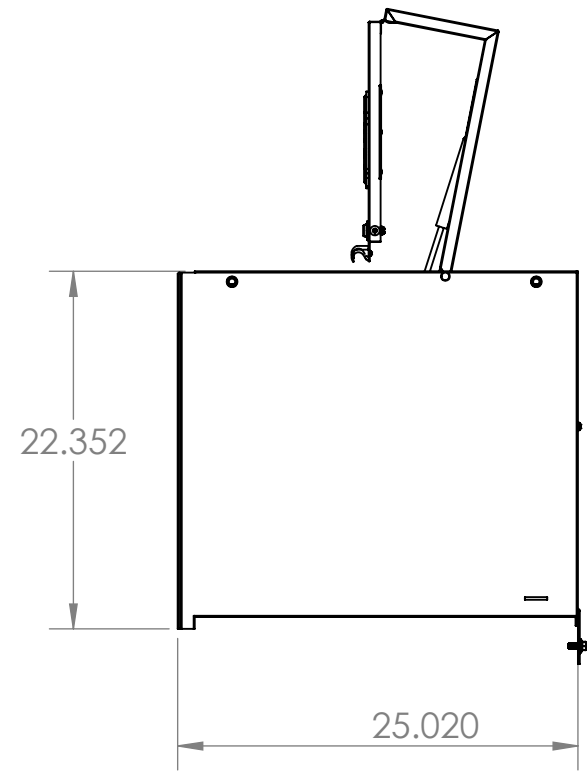
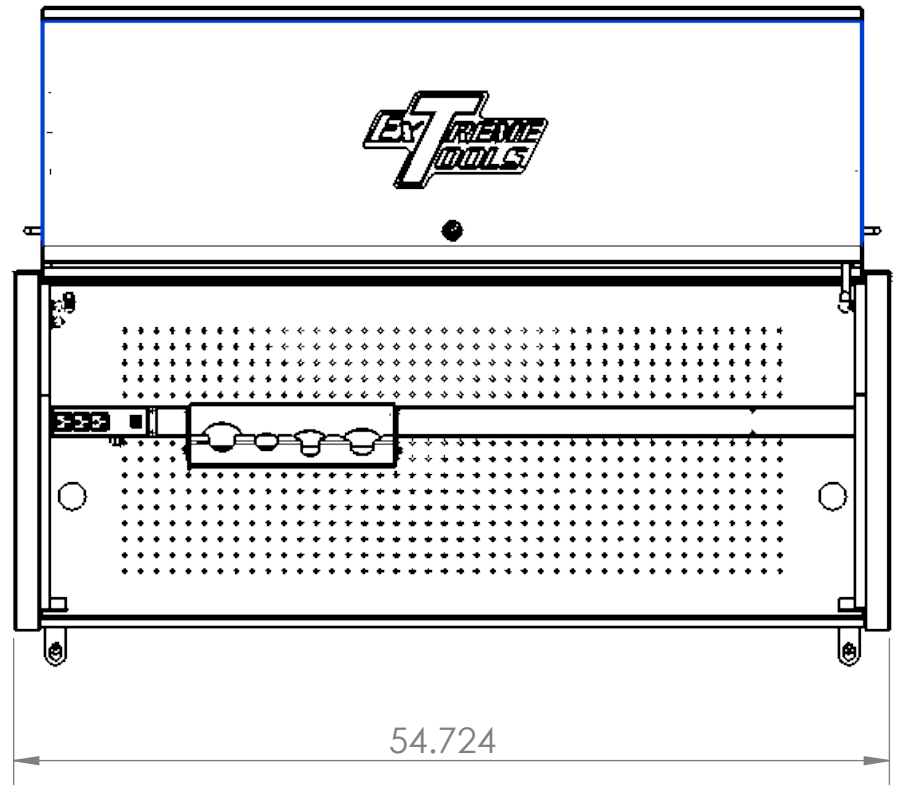


4

3

2

1



DRAWER No.	WIDTH		DEPTH		HEIGHT	
	O.D.	I.D.	O.D.	I.D.	O.D.	I.D.
ADJ. SHELF	51.378		9.843		1.929	

OVERALL DIMENSIONS		
WIDTH	DEPTH	HEIGHT
54.724	25.020	22.352

RX552501HC (SCHEMATIC)

4

3

2

1

B

B

A

A